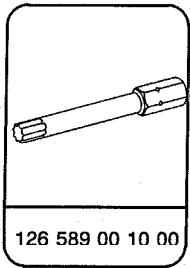


91-660 R and R airbag unit on steering wheel

Special tool

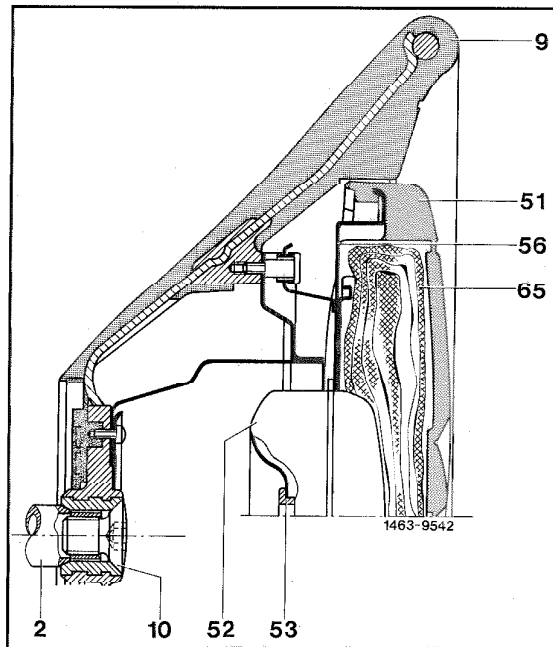


Specified torque

Socket head fillister screw

6 Nm

- 2 Steering wheel shaft
- 9 Steering wheel
- 10 Countersunk screw
- 51 Airbag unit
- 52 Gas generator
- 53 Gas generator plug connection
- 56 Generator retainer
- 65 Airbag



1463-9542

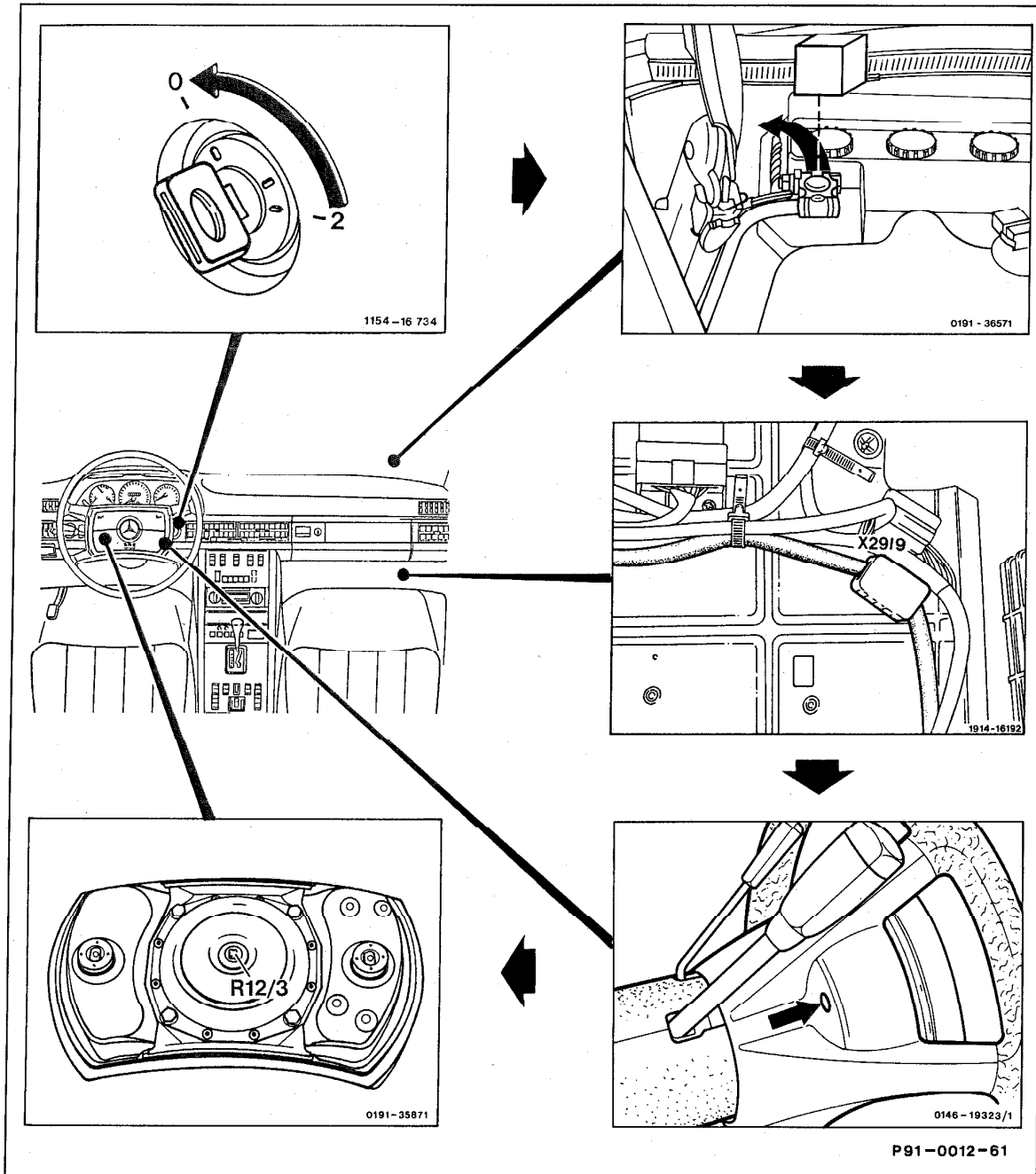
91-660 R and R airbag unit on steering wheel

Note

Steering wheel type 1, installed up to 05/82

Steering wheel type 2, installed up to 11/85

Steering wheel type 3, installed since 12/85



P91-0012-61

91-660 R and R airbag unit on steering wheel

Removal

Ignition key	Turn to position 0.
Negative battery terminal	Disconnect and insulate.
Floor mat in front passenger's footwell	Remove.
Footrest	Unscrew and remove.
Red test connector, airbag connection (X29/9) ..	Disconnect.
Two socket-head screws (arrow)	Remove with socket wrench, holding airbag unit securely.
Airbag unit	Raise from steering wheel.
Plug connection in gas generator	Disconnect.
	Note
	Disconnection automatically renders a short-circuit link effective in the gas generator.
Airbag unit	Remove from steering wheel.

Note

No further operations may be performed on the airbag unit as a whole. This must be kept under personal supervision or, if removed for a prolonged period, stored under lock and key.

WARNING!

After removal, the airbag unit must always be placed with the padded side uppermost.

Installation note

Only complete airbag units are available as spare parts.

91-660 R and R airbag unit on steering wheel

WARNING!

- a) Airbag units must not be treated with grease, a cleaning agent or any similar agents.

- b) Airbag units must not be exposed to temperatures above 100 degrees C, even briefly.

- c) Airbag units are sensitive to impacts. If an airbag unit is dropped onto a hard surface from a height greater than 50 cm, it must not be reinstalled but must be returned to the Sindelfingen Works in special packaging (transport container).

- d) Before installing an airbag unit, check that the earth lead is disconnected from the battery, the terminal is insulated and the ignition key is in position 0.

Installation

Plug connection on gas generator	Connect. The plug-connector must be heard to lock home.
Airbag unit	Place on steering wheel.
Left side socket head screw	With socket wrench, tighten to 6 Nm.

Type 1 and 2 steering wheels:

Right side socket head screw	Also tighten to 6 Nm.
------------------------------------	-----------------------

Type 3 steering wheel:

Right side socket head screw	With socket wrench, tighten approx. 2 full turns.
Airbag units	Slightly raise right side from steering wheel and tighten screw to specified torque of 6 Nm.

Vehicles up to 08/87:

Red test connector - airbag connection (X29/9) . .	Connect.
Negative battery terminal	Connect.
Ignition	Switch on.

Note

The SRS control lamp must go out after 10 seconds (vehicles up to 08/87) or 4 seconds (vehicles from 09/87 onwards).

With engine running, observe control lamp with full steering lock applied in both directions. The control lamp must not light up or flicker during this check.

Carry out function test on horns and automatic resetting of combination switch.

Noise check and adjustments

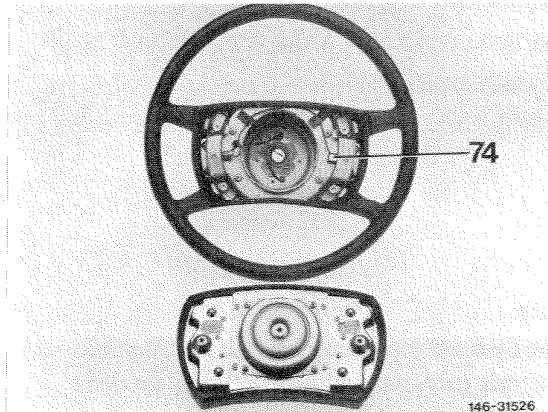
With light blows of the hand to the rim of the steering wheel, check for rattles, which may be caused by tilting or diagonal play between the airbag unit and steering wheel.

91-660 R and R airbag unit on steering wheel

Remedy

Type 1 steering wheel (installed up to 05/82)

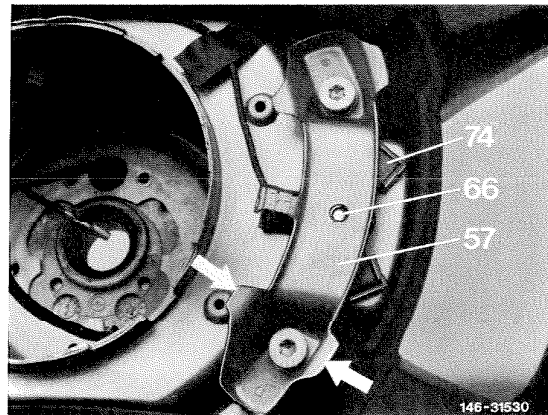
Move airbag unit diagonally under thumb pressure to locate axial play, then remove airbag unit.



146-31526

146-31526

If axial play is located e.g. at top left of airbag unit, carefully squeeze the lower left contact bridge (57) (arrow) together. If e.g. at top right, apply same treatment to lower right contact bridge, in both cases, in the area of the contact face.



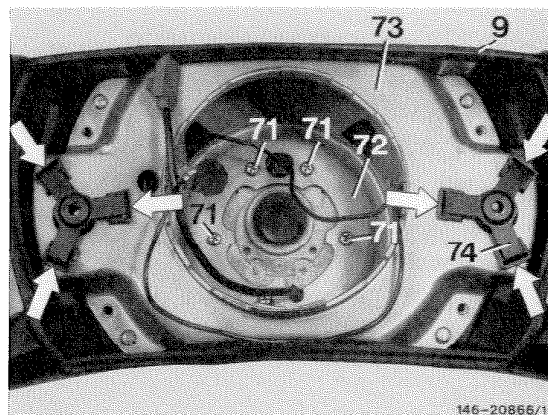
146-31530

146-31530

Note

If the axial play cannot be rectified in this way, the contact bridges must be replaced.

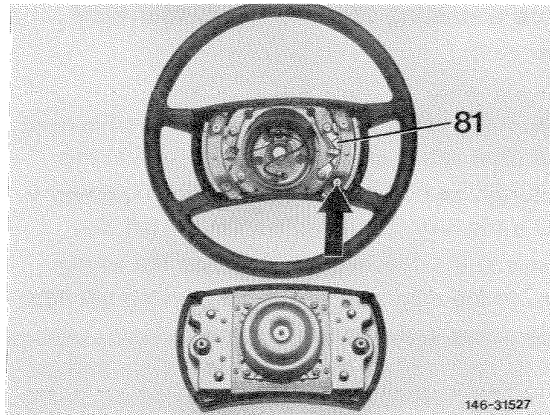
Check the three-spoke springs. If radial play is found with one spring removed, the springs and insulating plate must be removed and the supports on the mesh contact bosses bent appropriately (arrow).



146-20866/1

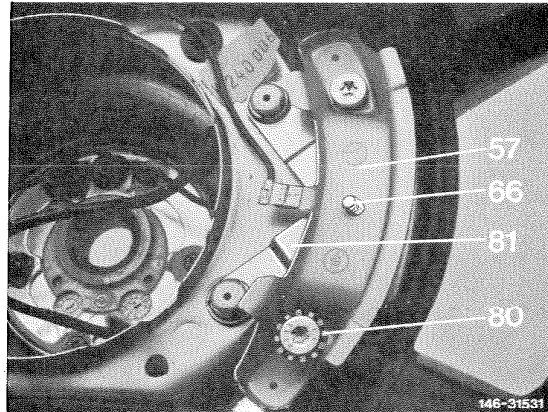
146-20866/1

Type 2 steering wheel (installed up to 11/85)



146-31527

In this case, an adjusting capstan (80) is fitted on the right contact bridge (57) to rectify axial play.

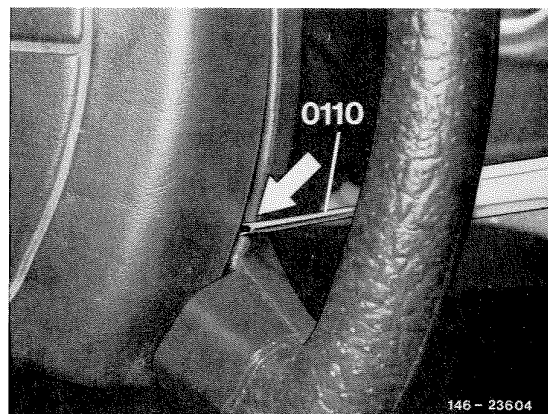


146-31531

Example: If play is located below/left or above/right, turn adjusting capstan (80) to the left using a suitable tool, e.g. small screwdriver, until play is eliminated.

⚠ CAUTION!

The airbag unit does not need to be removed for this operation. An integral channel is located in the foam cladding on the steering wheel to permit insertion of the adjusting tool (arrow).

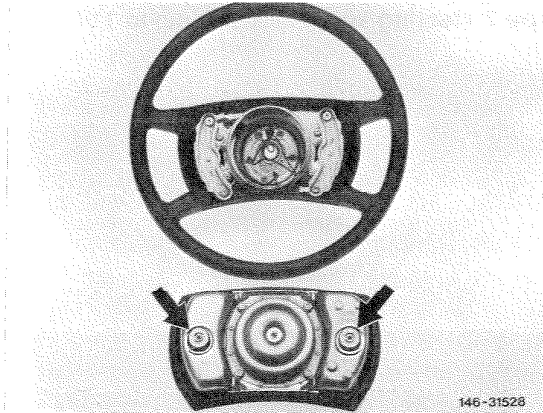


146-23604

91-660 R and R airbag unit on steering wheel

Type 3 steering wheel (installed from 12/88 onwards)

With socket wrench, remove socket head screws and align airbag on steering wheel so that it is uniformly seated. Install the two screws, giving a few turns only. Then tighten first the left side screw to the specified torque, raise the airbag unit on the right side slightly and tighten the right side screw to the specified torque.



146-31528